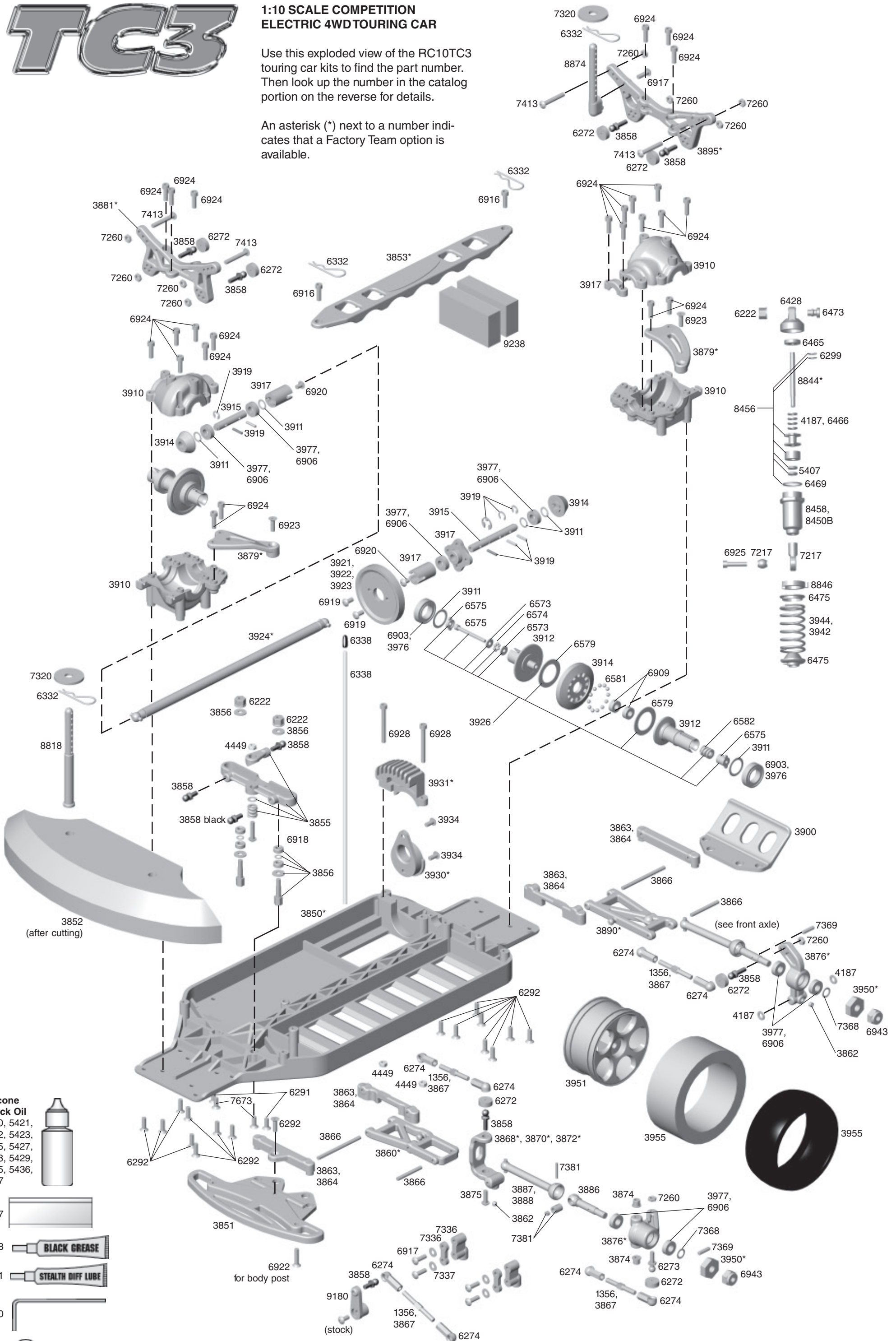


TC3

1:10 SCALE COMPETITION ELECTRIC 4WD TOURING CAR

Use this exploded view of the RC10TC3 touring car kits to find the part number. Then look up the number in the catalog portion on the reverse for details.

An asterisk (*) next to a number indicates that a Factory Team option is available.



Silicone Shock Oil
 5420, 5421, 5422, 5423, 5425, 5427, 5428, 5429, 5435, 5436, 5437

- 6727
- 6588
- 6591
- 6950
- 6956
- 6956
- 6956