

MINI-Z High Grade RECEIVER UNIT RA-6 Manager Ver1.0 Operation Manual

This manual explains how to operate the software to make set-up, connecting MINI-Z HG (RA-6) to a personal computer. Please read the contents of this manual carefully, when you use it.

Explanation of Approval of Use

You can use this software as free software, when you use MINI-Z HG (RA-6). However, please note that all the copyrights and other legal rights belong to KONDO KAGAKU CO., LTD. And such acts as reprint without permission, opening to public, reverse-engineering, or similar acts are strictly prohibited.

Usage Environment

A personal computer on which Windows 2000 XP operates correctly.
One or more RS-232C ports (When a USB convert adapter is used for connection, the software might not operate, depending on an adapter.)
Floppy disc or CD-ROM drive, for installation. (Either one to be used, depending on the package you bought.)

Cautions for Use

KONDO KAGAKU CO., LTD. takes no responsibility for the results of your use of this software, in any case. You are requested to use this software at your responsibility. We are prepared to hear your opinions on malfunctions, if any, and other matters, but we are not in a position to guarantee the correction of the malfunctions and addition of new functions.

The names of the organizations, companies and products referred to in this manual belong to the respective organizations and companies as registered names and trademarks.
We are officially approved by KYOSHO CORPORATION to use the name of "Mini-Z".

Installation of the Software

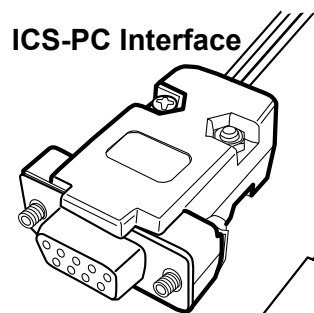


In case you bought the interface kit, the attached floppy disc contains "Mini-Z HG Manager" which is indicated by the icon shown left. Copy the file indicated by this icon into the hard disc of your personal computer, before you use the software. Please refer to the operation manuals of the personal computer and Windows or reference books sold in the market generally, regarding how to copy the file on your personal computer. By clicking

(or double-clicking) the icon of the copied software, the software starts. It is convenient to have the shortcut on the desktop of the Windows. Please check the number of the 232C port of your personal computer, before you use the software. Usually it is COM-1, but sometimes it could be COM-2 and following numbers when USB convert adapter is used or depending on the composition of hardware of your personal computer.

Connection

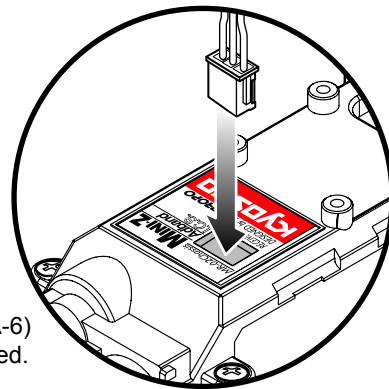
Using ICS-PC Interface and Mini-Z



HG ICS cable, connect Mini-Z HG (RA-6) and the 232C port of the personal computer.

The connector socket of Mini-Z HG (RA-6) is not open, in case the pcb is exchanged. So, you are required to make a hole to insert the connector.

Make connection and start the software of your personal computer, then turn on the switch of Mini-Z HG (RA-6). Please note that communication with your personal computer cannot be made, if the connector is connected in the state of switch-on at Mini-Z HG (RA-6).



Set-up Items

GAIN

To change the maintaining characteristic of the steering servo. There are 3 set-up values, 1(Low), 2(Middle) and 3(High).

SPEED

The operating speed of the servo. There are 3 set-up values, 1(Low), 2(Middle) and 3(High). The operating speed changes, depending on the set-up value.

PUNCH

The starting response speed. There are 10 set-up values from 1(Low) to 10(High). The movement of the servo at the lower set-up values is similar to that of analog servo. It is recommendable to reduce the set-up value when you feel difficult to control, due to too sensitive movement of the steering.

DEAD BAND

To set-up the neutral zone of the servo. There are 5 set-up values from 1(Low) to 5(High). The movement of the servo becomes sensitive if you choose lower values, as the dead band becomes small.

DAMP

To write in the set-up values shown on the screen into the connected Mini-Z HG (RA-6). The previous set-up values are overwritten. Therefore, It is recommended to save the data by reading in.

DRIVE FREQ

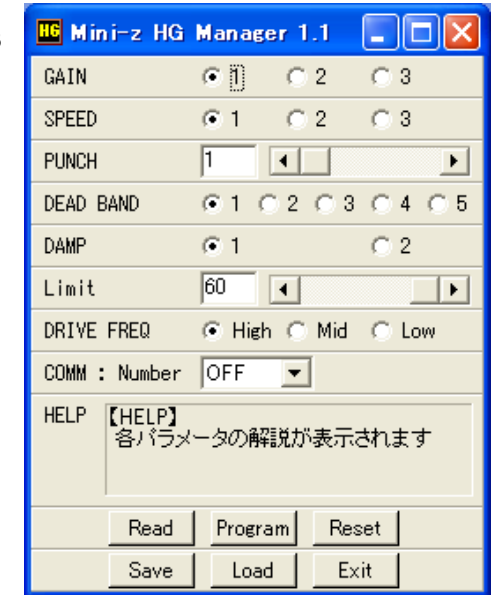
To change the drive frequency on throttle with 3 steps, 1(High), 2(Mid) and 3(Low). The frequency changes in all zone of throttle forward. In general, torque is increased at 3(Low) but fuel consumption

LIMIT

To limit the operating range of the steering servo. You can avoid damage of the steering servo and prevent the excessive electric current, by limiting the operating range, when the set-up value on the transmitter is high or when there is unexpected input of signals by noise.

COM

To specify the number of RS-232C Port which the software would use. In case of OFF or the specified number being not correct, cannot be communicated with the connected Mini-Z HG (RA-6).



electable
frequency
system

Button Function

Read Read

To read out the set-up values from the connected Mini-Z HG (RA-6). When read-out, the data shown on the screen is overwritten. So, please be careful.

Program Program

To write in the set-up values shown on the screen into the connected Mini-Z HG (RA-6). The previous set-up values are overwritten. Therefore, It is recommended to save the data by reading in.

Reset Reset

To reset the set-up values to the values of the connected Mini-Z HG (RA-6) which were originally set at the factory.

Save Save

To save the presently shown set-up values in the hard disc of your personal computer.

Load Load

To read out and show the data which are saved in the hard disc of your personal computer.

Exit Exit

To close the software.

Re After Service

Contact address for product inquiry:

KONDO KAGAKU CO.,LTD

4-17-7 Higasi-Nippori Arakawa-ku,
Tokyo 116-0014 JAPAN

Sorry, but we are not in a position to reply to you about the following issues, in case of questions and inquiries:

1. About the operation of your personal computer or operation system (Windows)
2. The matching of your personal computer or hardware and our product.
3. About the set-up in case of combination of the specific chassis, bodies, etc.
4. About the remodeling of the product or usage in non-standard situation/conditions.

Please visit our website for latest product information and support information:

<http://www.kopropo.co.jp>

Aug, 2004 Mini-Z HG ©2004 KONDO KAGAKU CO., LTD.